



## **RAINWATER FILTERS AND REUSE OF RAINWATER**

**Rainwater filters to install in front of the tank**

**Rainwater filters to install in the tank**

**Rainwater pumps to install in the house**

**Rainwater pumps to install in the tank**

**Parts for installation in the tank**



## Table of contents

Characteristics	3
Functioning	3
What is reuse of rainwater	3
Why reusing rainwater	3
Rainwater filters to install in front of the tank	4
Rainwater filters to install in the tank	6
Rainwater pumps to install in the house	8
Rainwater pumps to install in the tank	12
Parts for installation in the tank	13
Maintenance	15
Guarantee	15
Other documents	15

The published rates are exclusive of VAT, and ex works.

# EARN MONEY WITH RAINWATER.

## CHARACTERISTICS

A rainwater tank collects the water coming from the roof gutters and stores it for future use. This water can be used as follows:

- To water plants
- To wash cars
- To flush toilets
- ...

And, subject to the installation of appropriate filters, it can be used for the washing machine, the dishwasher, bath, shower, and drinking water, ... Please contact our technical service to calculate the ideal tank volume.

## FUNCTIONING

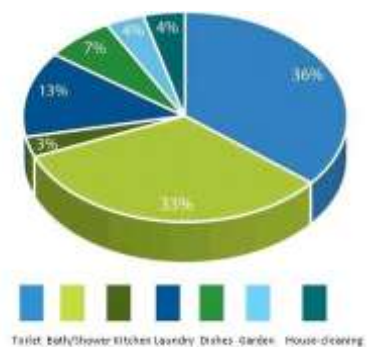
A rainwater tank collects the water coming from the gutter. The tank will gradually fill up. As soon as it is full, the surplus water will overflow into the sewer or into a canal. It is important that the water collected is as clean as possible. Any leaves entering the tank will start to rot and cause an unpleasant odor. By installing a rainwater filter, the number of times the tank has to be cleaned, will be greatly reduced.

## WHAT IS RAINWATER RECYCLING

Rainwater harvesting means that, for different tasks in your household, rain water is used instead of expensive city water

This is not difficult. You buy a rainwater tank, places it somewhere in the ground and make a connection with the gutter . After a while is the tank is full of rain water, ideal for indoor and outdoor use. You need, of course, a pump. The rain water must be driven from the tank to the different taps. Depending on your personal needs, you can provide your recycling system of a number of interesting options.

Moreover, the cost of such an installation, you get out fast! When recycling your water, halves you your water bill! According to the most recent studies of the Government we consume an average of 119 liters of water per person, per day. For illustration, see diagram.



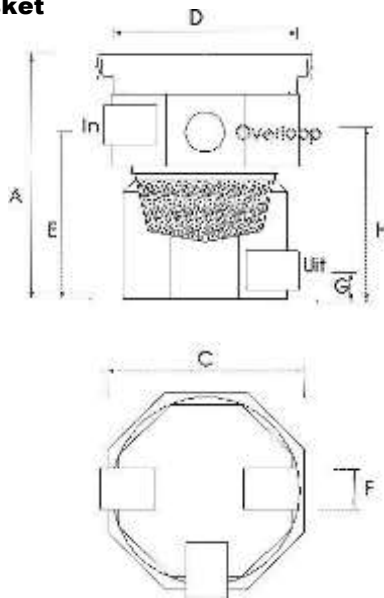
## WHY REUSE RAINWATER

Did you had a good view on the diagram above ? Then make the account quickly and you come to the conclusion that your water usage can go down by 50%. A rainwater harvesting system is therefore never a useless costs. On the contrary, over time the system deserves itself and on long term, the lower water bills will spare you a lot of money

## Rainwater filters to install in front of the tank

### Pre filter with sieve basket

#### RWF100

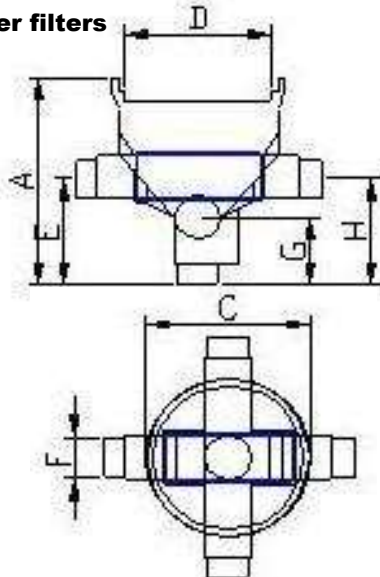


Installation in 15 cm consolidated sand	
Color	Black
Volume	100 liter
Surface to treat	387 m <sup>2</sup>
Length	570 mm (C)
Width	570 mm (C)
Height	680 mm (A)
Height in	500 mm (E)
Height out	80 mm (G)
Height overflow	500 mm (E)
Diameter in/out	110 mm
Diameter manhole	500 mm (D)
Weight	10 kg
Price – A03	€ 216,61

Dimensions are in mm and informative. Subject to alterations.

### Self-cleaning rainwater filters

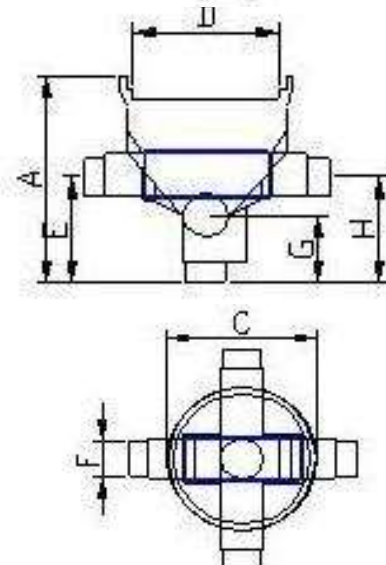
#### RWF50ZR



Installation in 15 cm consolidated sand	
Color	Black
Volume	50 liter
Surface to treat	387 m <sup>2</sup>
Length	480 mm (C)
Width	480 mm (C)
Height	600 mm (A)
Height in	320 mm (E)
Height out	180 mm (G)
Height overflow	310 mm (E)
Diameter in/out	110 mm
Diameter manhole	400 mm (D)
Weight	6 kg
Price – A03	€ 340,94

Dimensions are in mm and informative. Subject to alterations.

#### RWFM50ZR



Installation in 15 cm consolidated sand	
Color	Black
Volume	50 liter
Surface to treat	387 m <sup>2</sup>
Length	480 mm (C)
Width	480 mm (C)
Height	600 mm (A)
Height in	320 mm (E)
Height out	180 mm (G)
Height overflow	310 mm (E)
Diameter in/out	110 mm
Diameter manhole	400 mm (D)
Weight	6 kg
Price – A03	€ 561,56

Dimensions are in mm and informative. Subject to alterations.

## RWF VF1 110



Installation in 15 cm consolidated sand	
Color	Blue
Surface to treat	387 m <sup>2</sup>
Length	400 mm
Width	400 mm
Height	550-1.050 mm
Height in	350 mm
Height out	60 mm
Height overflow	350 mm
Diameter in/overflow	110 mm
Diameter out	125 mm
Diameter manhole	400 mm
Weight	6,2 kg
Price – A03	€ 507,05

Dimensions are in mm and informative. Subject to alterations.

## RWF VF1 125



Installation in 15 cm consolidated sand	
Color	Blue
Surface to treat	387 m <sup>2</sup>
Length	400 mm
Width	400 mm
Height	550-1.050 mm
Height in	350 mm
Height out	60 mm
Height overflow	350 mm
Diameter in/overflow	125 mm
Diameter out	125 mm
Diameter manhole	400 mm
Weight	6,2 kg
Price – A03	€ 552,09

Dimensions are in mm and informative. Subject to alterations.

## IBB Filter



Installation in sand	
Volume	40 liter
Length	315 mm
Width	315 mm
Height	510 mm
Height in	317 mm
Height out	317 mm
Diameter in/out	110 mm
Diameter manhole	315 kg
Weight	5 kg
Price – A03	€ 396,00

Dimensions are in mm and informative. Subject to alterations.

## Rainwater filters to install in the tank

Self-cleaning rainwater filters – to use in combination with slow flow

### RWF Kompakt 110



Installation in the tank	
Color	Blue
Surface to treat	213 m <sup>2</sup>
Length	405 mm
Width	175 mm
Height	320 mm
Diameter in/out	110 mm
Weight	kg
Price – A03	€ 282,98
<small>Dimensions are in mm and informative. Subject to alterations.</small>	

### RWF Kompakt 125



Installation in the tank	
Color	Blue
Surface to treat	213 m <sup>2</sup>
Length	405 mm
Width	175 mm
Height	320 mm
Diameter in/out	125 mm
Weight	kg
Price – A03	€ 329,18
<small>Dimensions are in mm and informative. Subject to alterations.</small>	

### APCF 110



Installation in the tank	
Color	Black
Surface to treat	300 m <sup>2</sup>
Length	315 mm
Width	180 mm
Height	207 mm
Diameter in/overfl	110 mm
Diameter out	110 mm
Weight	1,3 kg
Price – A03	€ 311,85
<small>Dimensions are in mm and informative. Subject to alterations.</small>	

### APCF 160



Installation in the tank	
Color	Black
Surface to treat	620 m <sup>2</sup>
Length	450 mm
Width	225 mm
Height	260 mm
Diameter in/overfl	160 mm
Diameter out	110 mm
Weight	2,6 kg
Price – A03	€ 611,00
<small>Dimensions are in mm and informative. Subject to alterations.</small>	

## APCF 200



Installation in the tank	
Color	Black
Surface to treat	1.350 m <sup>2</sup>
Length	670 mm
Width	280 mm
Height	320 mm
Diameter in/overfl	200 mm
Diameter out	160 mm
Weight	6,6 kg
Price – A03	€ 1.298,22

Dimensions are in mm and informative. Subject to alterations.

## APCF 300



Installation in the tank	
Color	Black
Surface to treat	4.000 m <sup>2</sup>
Length	970 mm
Width	400 mm
Height	480 mm
Diameter in/overfl	300 mm
Diameter out	200 mm
Weight	12,20 kg
Price – A03	€ 1.997,00

Dimensions are in mm and informative. Subject to alterations.

## FL filterkorf for flat tank



Installation in the tank	
Surface to treat	200 m <sup>2</sup>
Price – A03	€ 214,50

## Replacement parts

Part	Price – A05
Basket for RWF100	€ 46,81
Stainless steel filter for RWF50ZR	€ 260,50

## One-way valves to install in the tank

### APCK 110



Installation in the tank	
Color	Black
Length	290 mm
Width	190 mm
Height	195 mm
Diameter in/out	110 mm
Weight	1 kg
Price – A03	€ 68,15
<small>Dimensions are in mm and informative. Subject to alterations.</small>	

### APCK 160



Installation in the tank	
Color	Black
Length	345 mm
Width	240 mm
Height	250 mm
Diameter in/out	160 mm
Weight	1,45 kg
Price – A03	€ 97,02
<small>Dimensions are in mm and informative. Subject to alterations.</small>	



## Rainwater pumps to install in the house

### **PUMP WITHOUT AUTOMATIC CHANGE OF RAINWATER TO TAP WATER**

## DAB EUROINOX 30/30 M + PC



Multistage, self-priming pump with body of stainless steel, suitable for rainwater harvesting. Automatic control by means of Press control, editable direction of Press control, built-in anti dry security, built-in Thermal protection and permanent built-in capacitor. Quiet.

One-way valve or foot valve is necessary on the suction side of the pump.

- Flow rate: up to 7,2 m<sup>3</sup>/h with a head of up to 59 m
- Liquid temperature range: from 0°C to + 35°C for domestic use
- Pumped liquid characteristics: clean, free from solid or abrasive substances, not viscous, not aggressive, not crystallized, chemically neutral and close to the characteristics of water.
- Maximum operating pressure: 8 bar (800 kPa).
- Maximum suction depth: 7 meters.
- Sound level: 69,2 dBa

#### ADVANTAGES:

Automatic switch between rainwater and city water

Long life.

#### DISADVANTAGES:

The pump must divide his power between suction and pressing.

Light noise

Dimensions (LxWxH): 430 x 174 x 401 mm

ELECTRIC DATA					HYDRAULIC DATA						
Tension 50 Hz	P1 MAX KW	P2 Nominal		In A	Q=m <sup>3</sup> /h	0	0,6	1,2	1,8	2,4	3,0
		KW	HP		Q=l/min	0	10	20	30	40	50
1x230V	0,72	0,45	0,6	3,2	H (m)	46	42,2	37,8	31,2	23,3	14,3

Dimensions are in mm and informative. Subject to alterations.

Price – A03	€ 641,03
-------------	----------

## PUMPS WITH AUTOMATIC CHANGE FROM RAINWATER TO TAP WATER:

### DAB ECOSWITCH 30/50 M



The ECO SWITCH is a very compact and simple pump installation which is suitable for water drainage and rainwater harvesting in domestic applications.

In the absence of rain water, there will be an automatic switch to city water so that the water supply is always guaranteed.

This installation is very compact and very suitable for water supply of toilets, urinals, showers and washing machine.

The unit is hung on the wall and is quiet through the multistage pump Euro-inox. We recommend to do this on to an outside wall, for less sound transfer.

- Flow rate: max. 4,83 m<sup>3</sup>/h with a head of up to 42,2 m.
- Liquid temperature range: from 0°C to + 35°C for domestic use
- Pumped liquid characteristics: clean, free from solid or abrasive substances, not viscous, not aggressive, not crystallized, chemically neutral and close to the characteristics of water.
- Maximum operation pressure: 8 bar (800 kPa).
- Maximum suction depth: 5 à 6 meters.
- According to: EN1717 and BELGAQUA.
- Build according to: EN60335-2-41
- Protection class of the motor: IP44
- Insulation class of the motor: F
- Installation: Fix and in horizontal position
- Press and suction piping: 1"
- Drinking water connection: 3/4"
- Overflow: DN 50
- Content stock barrel: 10 liter
- Possibility of overflow alarm (not connected)
- Manual reset after fault
- *Float with 20 m cable*
- Weight: 18 Kg
- Sound level: 70,8 dBa

#### ADVANTAGES:

Automatic switch between rainwater and city water  
Long life.

#### DISADVANTAGES:

The pump must divide his power between suction and pressing.  
Light noise

Dimensions (LxWxH): 650 x 260 x 731.5 mm

ELECTRIC DATA					HYDRAULIC DATA										N° Waai ers
Tension	P1 MAX	P2 Nominal		In	Q=m <sup>3</sup> /h	0	0,6	1,2	1,8	2,4	3,0	3,6	4,2	4,8	
50 Hz	KW	KW	HP	A	Q=l/min	0	10	20	30	40	50	60	70	50	
1x230V	0,88	0,55	0,75	3,9	H (m)	42,2	40,2	38,2	36,2	33,8	30	24,8	19,5	14	3

Dimensions are in mm and informative. Subject to alterations.

Price – A03	€ 1.224,30
-------------	------------

## DAB AQUAPROF BASIC 30/50



The Aquaprof unit is used for the management and distribution of rain water. The unit detects the lack of water in both rain water and mains collection system and corrects it to guarantee that the system operates correctly (or rather, it never lets the identified users run out of water). Notify in the event of faults and indicate the type of problem incurred. The system is generally limited to irrigation, washing machine, WC flushing tank and floor cleaner systems. The main objective of the Aquaprof system is to give priority to the use of rain water over that of the mains water. When the rain water contained in the tank is insufficient, the control unit passes the mains water supply thereby ensuring a flow of water at the extraction points. The connection between the rain water collection tank and the mains water collection tank, which is integrated into the system, is selected by a three-way valve fitted to the pump suction. The pump operates exactly the same as a pump with a "start-stop" system using flow and pressure control. When the pressure drops below the set value the pump starts, when the tap is turned off the pump stops, if there is a lack of water the pump stops and a warning is signaled on the pump's control panel. After a preset time the pump automatically starts again and if all operations are within the set parameters the pump carries on operating normally.

The system also includes a special anti-stench and anti-draining trap. The system performs an operational control of the 3-way valve every 24 hours. The system renews the content of the internal mains water every week (the renewal is limited to the request of water used).

The system comprises a recyclable polyethylene console, a completely automatic electronic control unit, three-way automatic valve and electro pump Euroinox 30/50 M. Supplied with wall bracket as standard and float switch with 20 meter of cable.

- According to: BELGAQUA en AN1717
- Protection class: IP44 and IP55
- Liquid temperature range: from 0°C to + 35°C for domestic use.
- Ambient temperature: max + 40 °C
- Pumped liquid characteristics: clean, free from solid or abrasive substances, not viscous, not aggressive, not crystallized, chemically neutral and close to the characteristics of water.
- Flow rate: max. 4,8 m<sup>3</sup>/h with a head of up to 57 m.
- Maximum operating pressure: 8 bar (800 kPa).
- Installation: fix in vertical position.
- Press and suction piping: 1"
- Drinking water connection: ¾"
- Overflow: DN 50
- Weight: 28 kg
- Sound level: 64,4 dBa

### ADVANTAGES:

Automatic switch between rainwater and city water  
Long life.

### DISADVANTAGES:

The pump must divide his power between suction and pressing.  
Light noise



Dimensions (LxWxH): 750 x 290 x 850 mm

ELECTRIC DATA					HYDRAULIC DATA											N° Waai ers
Tension 50 Hz	P1 MAX KW	P2 Nominal		In A	Q=m <sup>3</sup> /h	0	0,6	1,2	1,8	2,4	3,0	3,3	3,6	4,2	4,8	
1x230V	0,88	0,55	0,75	3,9	Q=l/min	0	10	20	30	40	50	55	60	70	50	
					H (m)	42,2	40,2	38,2	36,2	33,8	30	27,5	24,8	19,5	14	3

Dimensions are in mm and informative. Subject to alterations.

Price – A03 € 2.051,28

# DAB E.SYBOX

45 dB + 3 Bar  
12 l/min



E.sybox is the new integrated system by DAB for water pressure boosting in domestic and residential applications. E.sybox does not require any additional component for its installation because it consists of a self-priming multistage pump, electronics for control and management, pressure and flow sensors, a high-resolution LCD orientable display and an integrated expansion vessel of 2 liters.

**EFFICIENT:** Thanks to the inverter technology, e.sybox draws the energy necessary according to the water requirements, thereby avoiding futile wastes and allowing considerable economic savings.

**VERSATILE:** it can be installed in a vertical or horizontal position, in a ventilated room or in a recess.

**SILENT:** The noise perceived as well as the vibrations are reduced to the minimum and the system is whisper-silent only 45 dB in standard use. Thanks to the water-cooled motor, the protective casings in sound-deadening ABS, the vibration-damping feet and the inverter electronics that modulate the motor revolutions according to the set pressure (set point) and the flow requested.

**COMPACT:** it saves 30% of space in comparison with a traditional system.

**EASY TO INSTALL AND USE:** Maintenance is easy too thanks to the design of the technical components, which allows access to the expansion vessel, the rotor shaft and the second filling cap. This area also houses all the tools needed for both maintenance and the first installation, such as the user guide and the instrument for easy extraction of the non-return valve.

**WIRELESS:** has a wireless device to facilitate the creation of pressure booster sets and for connection to other DAB devices.



- Protection of the water in the system from freezing (anti freeze): e.sybox is protected with a protection device which prevents the formation of ice inside, by activating the pump in case the temperature falls below values approaching freezing point.
- INVERTER: The new variable-speed Electronics ensure constant pressure in relation to the flow rate. The system with inverter technology makes noise compared to the traditional on/off systems because they regulate the motor rpm according to requirements and are also equipped with gradual start-up and switch off.
- Sensors: The new compact electronic pressure transducer with built-in temperature sensor developed by DAB, together with the flow sensor, both positioned on the pump delivery, send the necessary signals to the board for proper control of the system.
- Internal hydraulic connections: Designed to minimize the dimensions, ensure compactness of the system and make maintenance easy.
- Expansion tank: Integrated in the system, it has a 2-litre capacity and is certified for drinking water. Comes with a 5-year guarantee, no maintenance required.
- Enclosures: Made of ABS material, enclose the system, with protective and sound-proofing function.
- Ant vibration feet: Ensure effective absorption of vibrations, making the e.sybox even more silent and comfortable. They are designed for horizontal and vertical installation of the system.

ELECTRISCHE GEGEVENS				HYDRAULISCHE GEGEVENS													
Voeding	P1 MAX	HP	In	Q=m <sup>3</sup> /h	0	0,6	1,2	1,8	2,4	3,0	3,6	4,2	4,8	5,4	6	6,6	7,2
50 Hz	KW		A	Q=l/min	0	10	20	30	40	50	60	70	80	90	100	110	120
1x230V	1,55	2,1	9,8	H (m)	62	61	60	57	55	51	46	40	33	25	17	9	0

Dimensions are in mm and informative. Subject to alterations.

Price – A03 € 1.386,00

## PUMP TO INSTALL IN THE TANK (without switch from rainwater to tap water)

### AVANT 3



Submersible pressure pump with built-in integrated Electronics, designed to automatically start and stop the pump. Built-in electronic pressure switch and flow sensor. Equipped with dry-run protection. Built-in return valve. Easy to use. High reliability. Available with 3 or 4 impellers. Supplied with 15m power cord.

- Number of impellers: 4
- Flow rate: max. 5,7 m<sup>3</sup>/h with a head of up to 36 m.
- Liquid temperature range: from 0°C to + 35°C for domestic use.
- Pumped liquid characteristics: clean, free from solid or abrasive substances, not viscous, not aggressive, not crystallized, chemically neutral and close to the characteristics of water.
- Maximum ambient temperature: + 35 °c.
- Maximum amount of sand: 90 g/m<sup>3</sup>.
- Protection class of the motor: IP68
- Insulation class of the motor: F
- Cable length: 15 m

#### ADVANTAGES:

No noise

Pump using all his strength in the pressing.

#### DISADVANTAGES:

More expensive.

Short life

If there is no rain water in the tank, you can't switch to city water.

To be used in combination with automatic filling system (see below)

Dimensions (LxWxH): 150 x 150 x 450 mm

ELECTRIC DATA		
Tension 50 Hz	P2 Nominal	
	KW	HP
1x230V	0,75	1

Dimensions are in mm and informative. Subject to alterations.

Price – A03	€ 586,25
-------------	----------

## PARTS TO INSTALL IN THE TANK

### Slow flow

Via this, the rain water is brought down in the tank avoiding turbulence in the tank

Mounted in the tank.

Not suitable for rectangular tanks.



Price – A03	€ 81,57
-------------	---------

### Slow flow for FL tanks

Via this, the rain water is brought down in the tank avoiding turbulence in the tank

Mounted in the tank.

Not suitable for rectangular tanks.



Price – A03	€ 99,00
-------------	---------

### Overflow siphon without vermin valve

Prevents unpleasant smell from the drains and prevent vermin in the tank

Mounted in the tank. Not suitable for rectangular tanks.



Price – A03	€ 90,93
-------------	---------

### Overflow siphon with vermin valve

Prevents unpleasant smell from the drains and prevent vermin in the tank

Mounted in the tank. Not suitable for rectangular tanks.



Price – A03	€ 155,09
-------------	----------

### Automatic filling system

A funnel with float and electro valve to let automatically city water in the tank if the rainwater level has reached the minimum.

delivered separately. Float can be placed at the desired height in the tank by the customer.



Price – A03	€ 347,63
-------------	----------

## Floating suction with gross filter

Plastic ball that floats on the water, combined with filter basket.

The filter basket hangs 10 cm below the water level whereby pure water is sucked out through the antibacterial suction hose

Mounted in the tank. Not suitable for rectangular tanks.



Price – A03	€ 164,46
-------------	----------

## Floating suction with fine filter

Plastic ball that floats on the water, combined with filter basket.

The filter basket hangs 10 cm below the water level whereby pure water is sucked out through the antibacterial suction hose

Mounted in the tank. Not suitable for rectangular tanks.



Price – A03	€ 279,44
-------------	----------

## Floating suction with fine filter for flat tank

Plastic ball that floats on the water, combined with filter basket.

The filter basket hangs 10 cm below the water level whereby pure water is sucked out through the antibacterial suction hose

Mounted in the tank. Not suitable for rectangular tanks.



Price – A03	€ 215,60
-------------	----------

## MAINTENANCE

The installation should be cleaned regularly. Rotten leaves may cause an unpleasant odor.



## WARRANTY

We offer a 10-year warranty on all our tank products as far as evident manufacturing faults are concerned. Failure to comply with installation procedures and guidelines voids warranty.  
2-year warranty on all parts.

The general sales and warranty conditions of Boralit count.

## OTHER DOCUMENTS

These documents are also available:

- Catalogue rainwater tanks
- Range rainwaterfilters.
- Range ranwaterpumps